

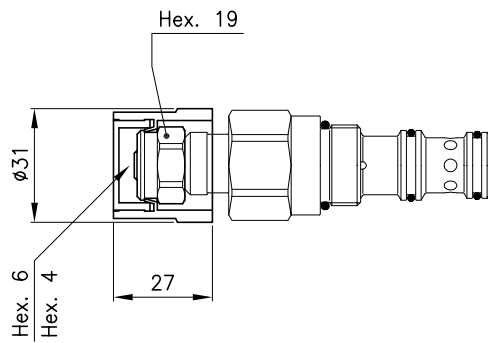
Functional description

FLUCOM introduces a new sealing system suitable for same type of cartridges. Once that the plug has been plugged in, it is no more possible to change the adjustment without tampering the seal.

Three different kind of sealing system are available:

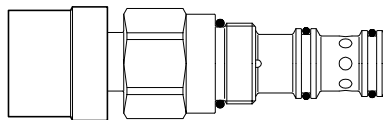
- 1) LOGO : cartridges are adjusted and sealed directly from FLUCOM
- 2) NOLOGO : cartrides may be adjusted from FLUCOM as well as from the Customer but sealed from the Customer himself.
- 3) KIT : complete kit allowing the changes in adjusting and sealing

Dimensions



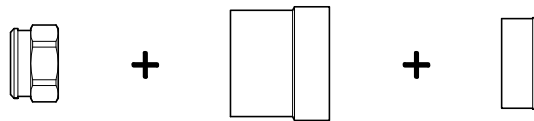
LOGO

Adjusted and sealed from FLUCOM



NOLOGO

May be adjusted from FLUCOM but sealed from the Customer



KIT

Supplied from FLUCOM

KIT - M 8x1 cod. 90 788 130

KIT - M 12x1.25 cod. 90 788 131

Cartridges supporting the sealing system

LPS 20	RPA 20	RDA/RDI 20/30
LPE 20	RLY 30/50	RDC 20/30/50
LPA 20/30	RLD 20	DPC 20/30/50
LPI 30/50	RLP 30/50	CMS 20/30/50
LPB 20/30/50	LPQ 30/50	CMQ 30/50
LPT 30	LPY 30/50	CMB 20
VDT 20/30	LCS 20	CMC 30/50