

TXVA series

pump with *Load Sensing* control - SAE version

variable displacement piston pumps

► Characteristics

Pump ref.	Direction of rotation	Max. displacement		Maximum operating pressure		Max. peak pressure (intermittent: 5%)		Max. operating pressure at flow-cancellation		Max. torque at 300 bar (4350 psi)		Max. speed	Weight		Overhang torque	
		cu.in/rev	(cc/rev)	psi	(bar)	psi	(bar)	psi	(bar)	lbf ft	(N.m)		rpm	lbs	(kg)	lbf ft
TXVA 75	CW CCW	4.58	(75)	5802	(400)	6092	(420)	6382	(440)	310	(420)	2000	64	(29)	26	(35.2)
TXVA 92	CW CCW	5.61	(92)	5511	(380)	5802	(400)	6092	(420)	380	(515)	1900	64	(29)	26	(35.2)

► Configurator for TXVA pumps

To obtain order code for your pump, fill in the parameters (2, 3, 4, 5) depending on the options required, using the table below.



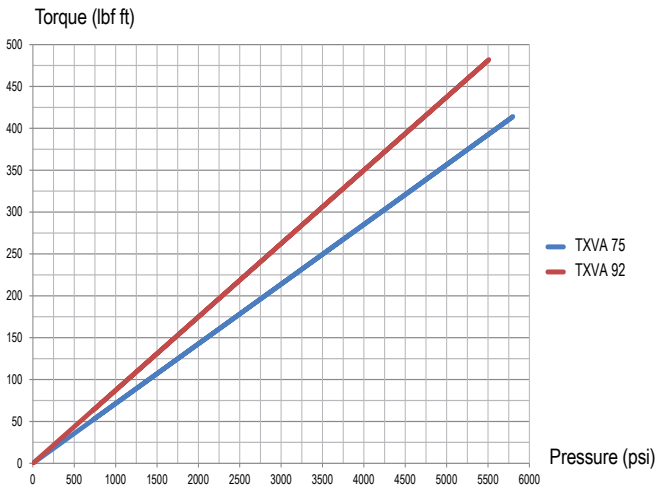
TXVA	L1
1	2	3	4	5	6

1	TXVA pump		
2	Displacement	4.60 cu.in/rev (75 cc/rev)	5.60 cu.in/rev (92 cc/rev)
3	Direction of rotation	CW CCW	
4	Flange	SAE C - 2 bolts SAE C - 4 bolts	C1 C2
5	Shaft end	Splined SAE J744 Keyed SAE J744	14T 12/24 DP - SAE C Ø1 1/4" UNF 2A - SAE C
6	Ports	Threaded	Inlet: 1 7/8" 12UN 2B Outlet: 1 1/16" 12UN 2B

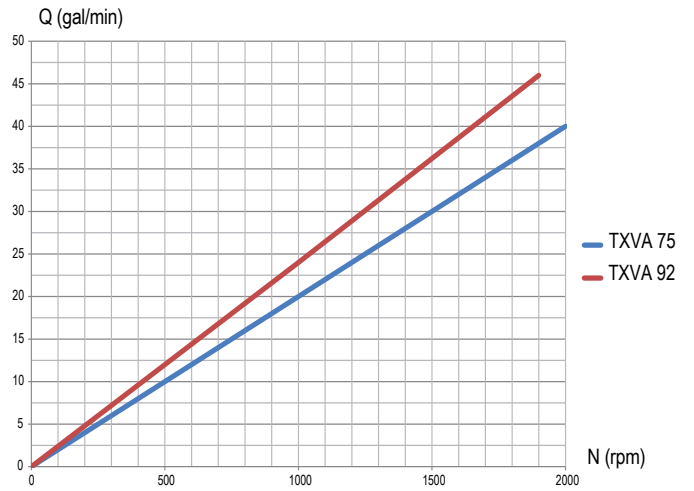


Performance and dimensions - TXVA SAE version

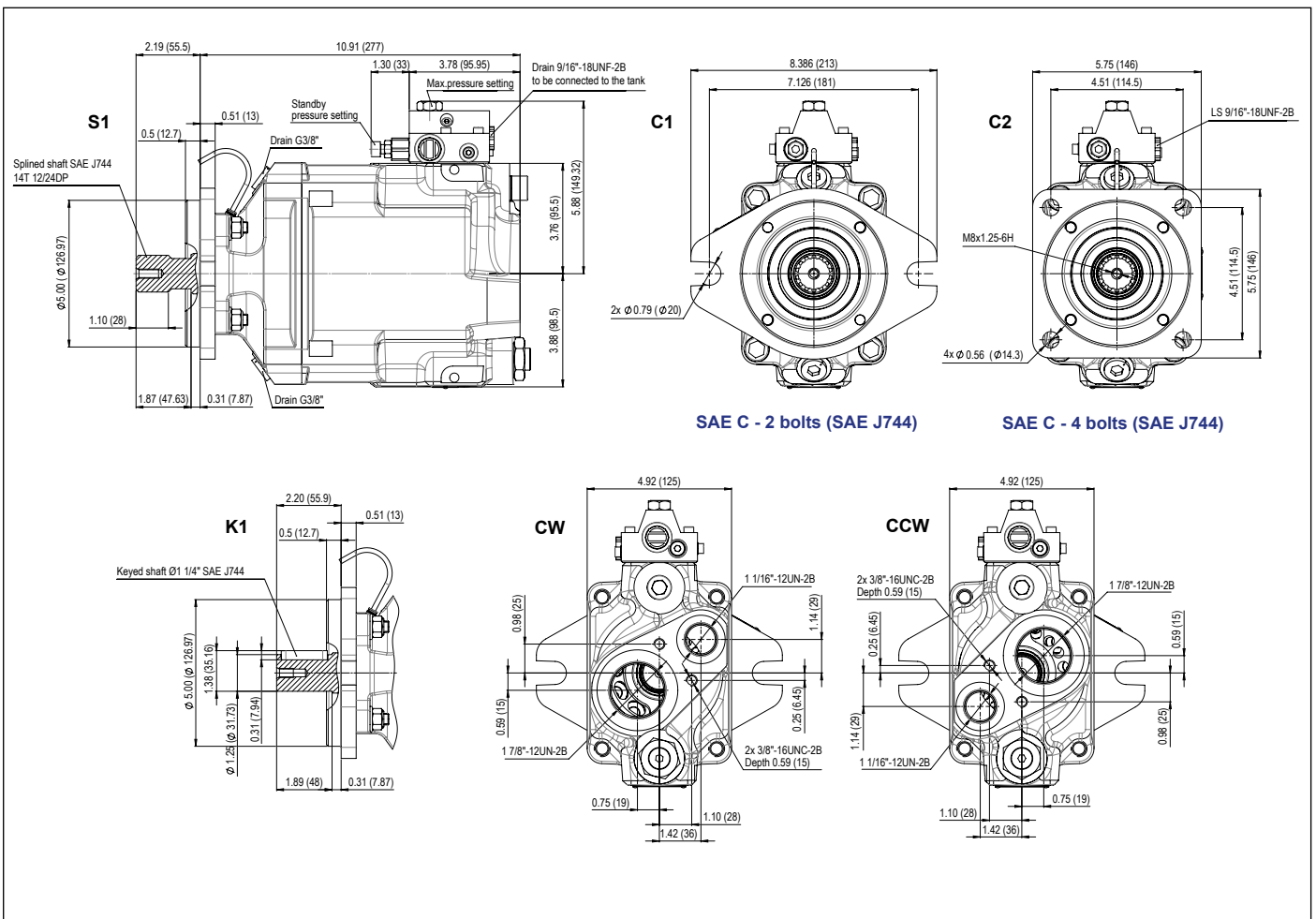
Torque absorbed as a function of pump output pressure



Flow



Dimensions



Dimensions in inches (mm).